

Date of
print/release

July
2021

Technical Guide



QUICKCAB

QUICKCAB

Standard Carcasses

IMPORTANT PLEASE NOTE:

The information contained in this literature is for illustrative purposes only to assist in choosing your desired kitchen. While we endeavour to keep the information up to date and correct we do not make any representations or warranties of any kind, express or implied, about the completeness, accuracy, reliability and suitability of the doors and products that appear in this literature.

We aim to showcase as many different items as possible and therefore some products have been installed and photographed purely to show as many of our product features as possible and they should not be taken as an example of how they are intended to be installed in real kitchen installations.

It is therefore the responsibility of the installer to check the corresponding manufacturer's installation information and the manufacturer's technical information to ensure this is up to date and to ensure that the products can be fitted in a way they are displayed and the products are suitable for your requirements.

We specifically exclude any liability in this regard unless the products are fitted in accordance with the specifications we supply and the manufacturer's installation recommendations are used in a way recommended by the manufacturer and in accordance with the manufacturer's technical information provided.

The information shown in this literature is accurate as at the date of print/release shown on such information but it may be subject to changes after such date. Please therefore ensure that you are viewing the most current product information available and check with us if you have any doubt about the suitability of the product or accuracy of the information shown.

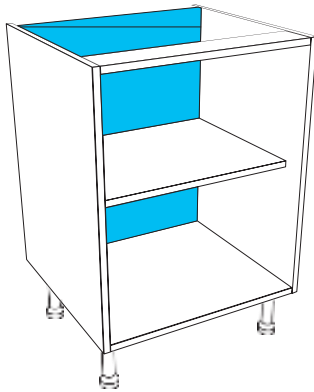
We are proud that all our products that we sell are covered by a statutory warranty but this does not stop all our products naturally ageing overtime. As a result of this natural ageing process we are therefore unable to provide an identical colour finish to the existing products you have purchased from us with any products that we supply you from the same product line. In such event our liability will be limited to the purchase price paid for the product you are seeking to replace.

Due to the limitations on photographic reproduction, colours may differ slightly from the actual products shown. Please note that board matches listed with the doors are a suggestion only and better board matches may be available on the market. It is up to the individual to decide on its suitability.

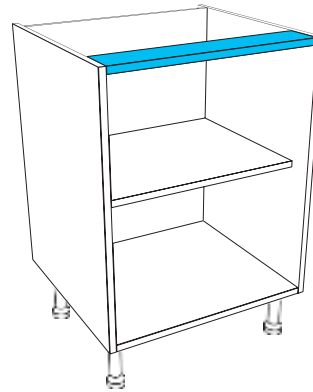
Quickcab Carcasses Features

View Quickcab installation video:
www.tkc.co.uk/quickcab_video

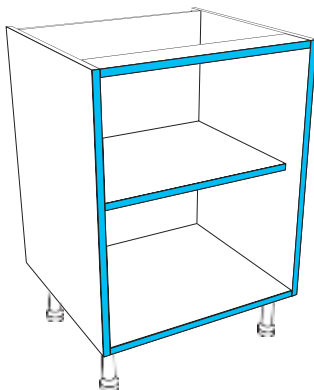
Solid 18mm back panel
on base units for strength and rigidity



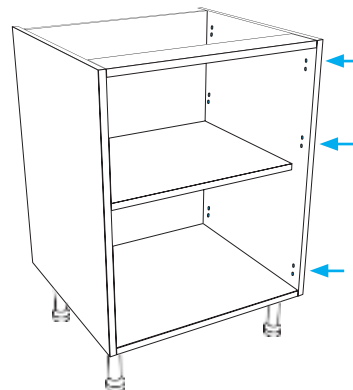
100mm cross rail
for added stability & practicality



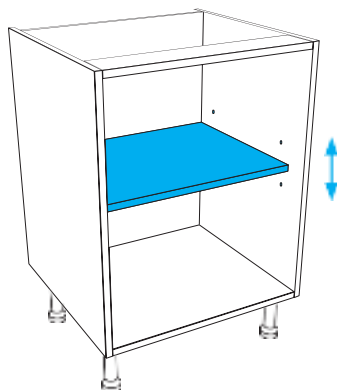
2mm PVC leading edging*
for high impact resistance



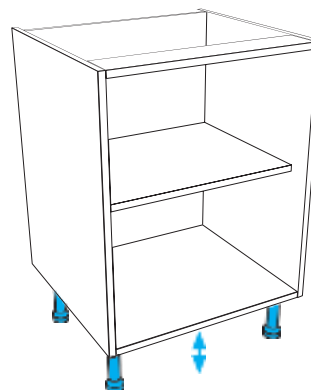
Pre-drilled drawer holes
for drawerline, 2 drawer pack & 3 drawer pack



Variable shelf position
with metal studs for easy repositioning



150mm adjustable legs
to compensate for uneven floors



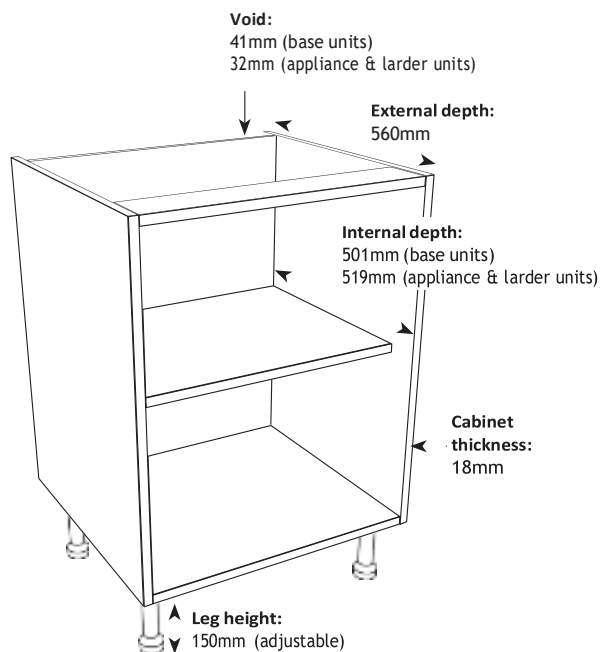
* All Quickcab units have a 2mm leading edge on shelves, except for curved units where the radius does not allow this edging to be used. For these items the edging will be 0.8mm ABS tape. All other exposed leading edges will be a 0.4mm melamine edge.

Quickcab Carcasses

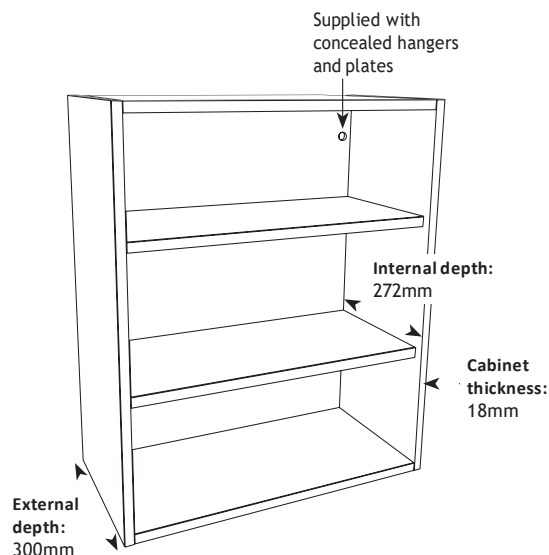
Product Overview

View Quickcab installation video:
www.tkc.co.uk/quickcab_video

BASE, APPLIANCE & LARDER UNITS



WALL UNITS



DIMENSIONS

UNITTYPE	HEIGHT	EXTERNAL DEPTH	BACK THICKNESS	VOID AT BACK
Base Units				
Belfast Base Units	450/490mm	560mm	18mm	41mm
Standard Base Units	720mm	560mm	18mm	41mm
Curved Base	720mm	300mm	18mm	N/A
Wall Units				
Bridging Units	360mm	300mm	8mm	N/A
Standard Wall Units	720mm	300mm	8mm	N/A
Tall Wall Units	900mm	300mm	8mm	N/A
Dresser Units	1210mm	300mm	8mm	N/A

UNITTYPE	HEIGHT	EXTERNAL DEPTH	BACK THICKNESS	VOID AT BACK
Full Height Units				
Appliance / Larder	1970mm	560mm	8mm	32mm
Curved Full Height	1970mm	300mm	18mm	N/A
Extra Tall Appliance / Larder	2150mm	560mm	8mm	32mm

ADDITIONAL INFORMATION

- All back panels and centre posts are MFC.
- Gables marked for hinges, 100mm hinges.
- All carcasses are supplied without drawers, apart from Smartlarder Complete.
- Includes 5mm colour co-ordinated cover caps

Robust cam & dowel technology
for the strength of rigid



Simple screwdriver fixing
Simply push panels in position and lock in place with screwdriver



Quickcab Carcasses

Product Overview

View Quickcab installation video:
www.tkc.co.uk/quickcab_video

QUICKCAB COLOURS

Price Group 1



WHITE

Prefix code: 184
Board Colour: Egger W980



IVORY

Prefix code: 183
Board Colour: Egger U104

True Handleless Vero Kitchens



Pre-routed Vero cabinets are available for true handleless kitchens in 4 colours.

Price Group 2



LIGHT GREY

Prefix code: 187
Board Colour: Egger U708



STONE GREY

Prefix code: 87
Board Colour: Egger U727



OAK

Prefix code: 186
Board Colour: Egger H3368

PACK CONTENTS & ASSEMBLY



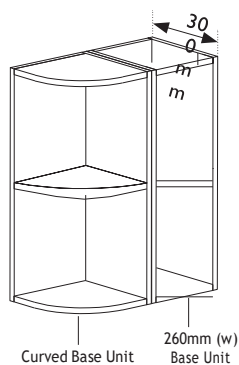
build time



All fittings pre-inserted.

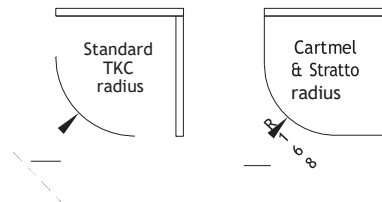
The of rigid in strength 2 es!

Curved Base Unit 720mm



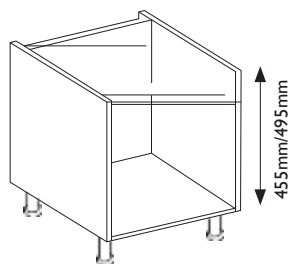
- External curved unit
- Includes 1 shelf
- Legs not supplied with curved base unit
 Legs can be purchased separately.

Height: 720mm
Depth: 300mm
Back: 18mm



Code	Description
XXXRADIUS	Radius unit
XXXRADIUSCART	Cartmel & Stratto radius unit (for Cartmel & Stratto doors)
XXXBASE260	Base unit 260mm (w) x 300mm (d), for use with Radius Unit

Belfast Base Unit 455/495mm

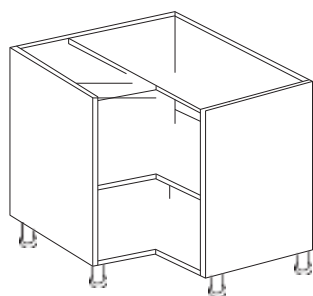


- For use with Belfast Sink
- 455mm height suitable for 450 x 596mm door
- 495mm height suitable for 490 x 596mm door

Height: 455mm/495mm
Width: 600mm
Depth: 560mm
Back: 18mm

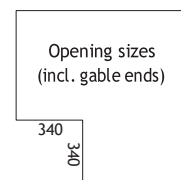
Code	Description
XXXBELFAST455	Belfast base unit, 600mm (w) x 455mm (h)
XXXBELFAST495	Belfast base unit, 600mm (w) x 495mm (h)

L Shaped Corner Base Unit 720mm



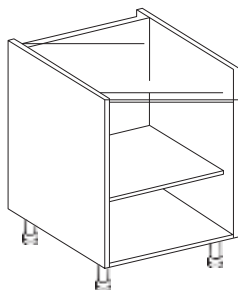
- Includes 1 shelf

Height: 720mm
Size: 900 x 900mm
Back: 18mm



Code	Description
XXXCBASE900	L shaped corner base unit, 900 x 900mm

Single Base Unit 720mm

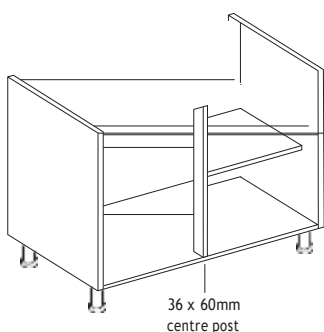


- Includes 1 shelf
- Can be converted into a drawer unit
(comes pre-drilled for drawer line, 2 drawer pack & 3 drawer pack)
- Drawer packs sold separately (nb. 150, 350 & 450mm drawer packs not available)

Height: 720mm
Depth: 560mm
Back: 18mm

Code	Description
XXXBASE150	Base unit, 150mm
XXXBASE300	Base unit, 300mm
XXXBASE350	Base unit, 350mm
XXXBASE400	Base unit, 400mm
XXXBASE450	Base unit, 450mm
XXXBASE500	Base unit, 500mm
XXXBASE600	Base unit, 600mm

Double Base Unit 720mm

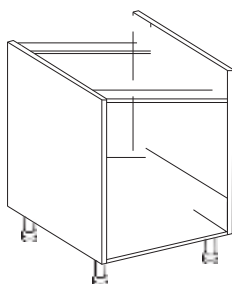


- Includes 1 shelf & centre post
- Can be converted into a drawer unit
(comes pre-drilled for drawer line, 2 drawer pack & 3 drawer pack)
- Drawer packs sold separately (nb. 700mm drawer packs not available)
- Converted into a corner base using blanking panel

Height: 720mm
Depth: 560mm
Back: 18mm

Code	Description
XXXBASE700	Base unit, 700mm
XXXBASE800	Base unit, 800mm
XXXBASE900	Base unit, 900mm
XXXBASE1000	Base unit, 1000mm
XXXBLANKPANEL	Blanking panel, 720mm (h) x 500mm (w)

Under Oven Housing Unit 720mm

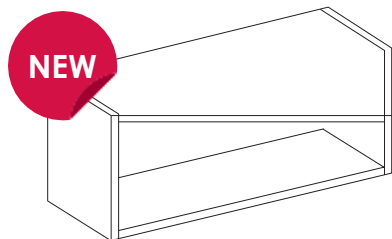


- Includes 1 fixed shelf
- Open back

Height: 720mm
Depth: 560mm

Code	Description
XXXUOH600	Under oven housing unit, 600mm

Fridge/freezer Bridging Unit 288mm

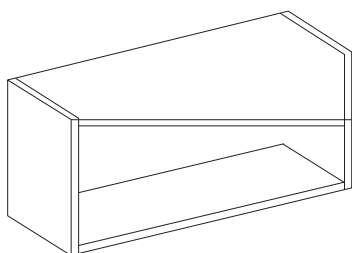


- Suitable for 283mm (h) door

Height: 288mm
Depth: 300mm
Back: 8mm

Code	Description
XXX FBRIDGE600	Fridge/freezer bridging unit, 600mm NEW
XXX FBRIDGE800	Fridge/freezer bridging unit, 800mm NEW
XXX FBRIDGE900	Fridge/freezer bridging unit, 900mm NEW
XXX FBRIDGE1000	Fridge/freezer bridging unit, 1000mm NEW

Bridging Unit 360mm

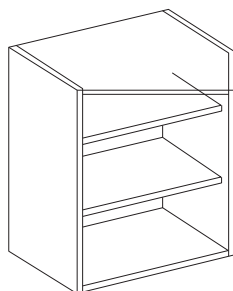


- Suitable for 355mm (h) door

Height: 360mm
Depth: 300mm
Back: 8mm

Code	Description
XXX BRIDGE500	Bridging unit, 500mm
XXX BRIDGE600	Bridging unit, 600mm
XXX BRIDGE800	Bridging unit, 800mm
XXX BRIDGE900	Bridging unit, 900mm
XXX BRIDGE1000	Bridging unit, 1000mm

Single Wall Unit 720mm

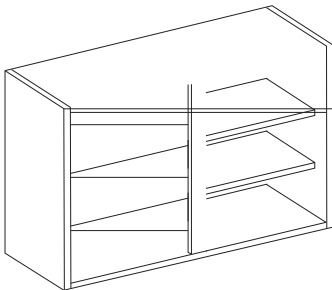


- Includes 2 shelves

Height: 720mm
Depth: 300mm
Back: 8mm

Code	Description
XXX WALL150	Wall unit, 150mm NEW
XXX WALL300	Wall unit, 300mm
XXX WALL350	Wall unit, 350mm
XXX WALL400	Wall unit, 400mm
XXX WALL450	Wall unit, 450mm
XXX WALL500	Wall unit, 500mm
XXX WALL600	Wall unit, 600mm

Double Wall Unit 720mm

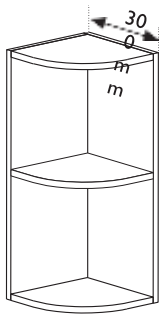


- Includes 2 shelves & centre post

Height: 720mm
Depth: 300mm
Back: 8mm

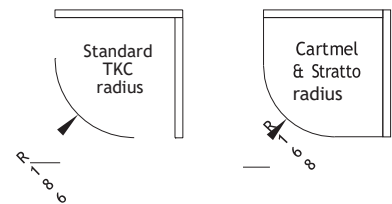
Code	Description
XXXWALL700	Wall unit, 700mm
XXXWALL800	Wall unit, 800mm
XXXWALL900	Wall unit, 900mm
XXXWALL1000	Wall unit, 1000mm

Curved Wall Unit 720mm



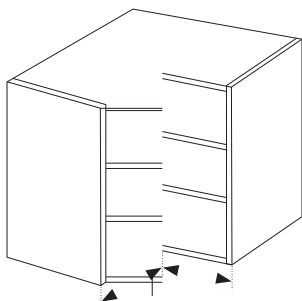
- External curved unit
- Includes 1 shelf

Height: 720mm
Depth: 300mm
Back: 18mm



Code	Description
XXXRADIUS	Radius unit
XXXRADIUSCART	Cartmel & Stratto radius unit (for Cartmel & Stratto doors)

L Shaped Corner Wall Unit 720mm



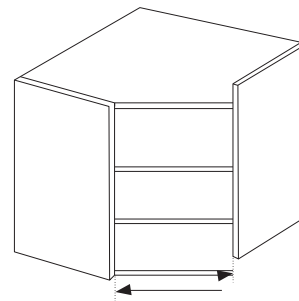
- Includes 2 shelves
- Suitable for 2 x 273-277mm (w) doors

Height: 720mm
Size: 600 x 600mm
Back: 8mm

300mm 300mm
 * Opening sizes including gable ends

Code	Description
XXXCWALL600	L shaped corner wall unit, 600 x 600mm

Splay Corner Wall Unit 720mm



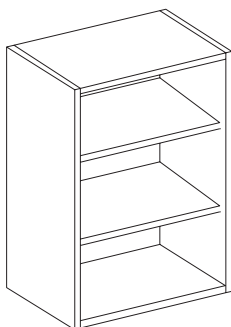
- Includes 2 shelves
- Suitable for a 395mm (w) door

Height: 720mm
Size: 600 x 600mm
Back: 8mm

395mm
 n.p.
 n.p.
 r

Code	Description
XXXDWALL600	Splay corner wall unit, 600 x 600mm

Tall Single Wall Unit 900mm

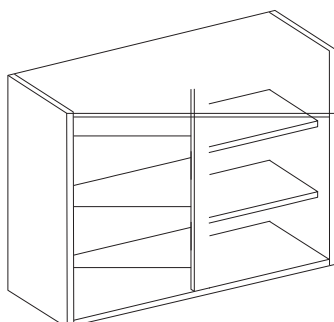


- Includes 2 shelves

Height: 900mm
Depth: 300mm
Back: 8mm

Code	Description
XXXTWALL300	Tall wall unit, 300mm
XXXTWALL400	Tall wall unit, 400mm
XXXTWALL450	Tall wall unit, 450mm
XXXTWALL500	Tall wall unit, 500mm
XXXTWALL600	Tall wall unit, 600mm

Tall Double Wall Unit 900mm

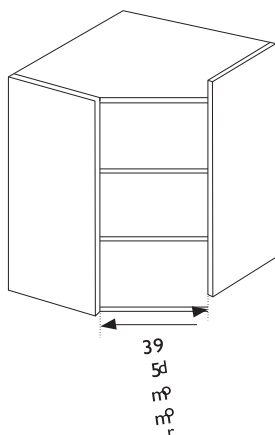


- Includes 2 shelves & centre post

Height: 900mm
Depth: 300mm
Back: 8mm

Code	Description
XXXTWALL800	Tall wall unit, 800mm
XXXTWALL900	Tall wall unit, 900mm
XXXTWALL1000	Tall wall unit, 1000mm

Tall Splay Corner Wall Unit 900mm

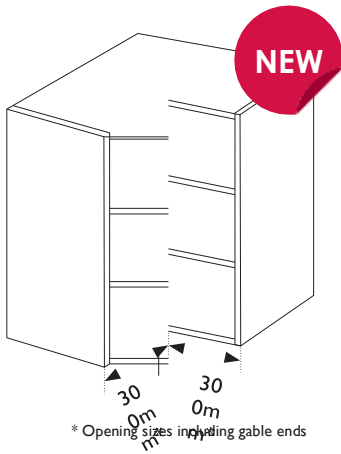


- Includes 2 shelves
- Suitable for a 395mm (w) door

Height: 900mm
Size: 600 x 600mm
Back: 8mm

Code	Description
XXXTDWALL600	Tall splay corner wall unit, 600 x 600mm

Tall L Shaped Corner Wall Unit 900mm

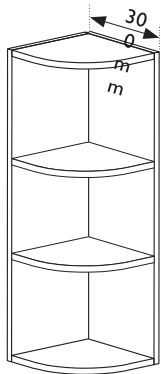


- Includes 2 shelves
- Suitable for 2 x 273-277mm (w) doors

Height: 900mm
Size: 600 x 600mm
Back: 8mm

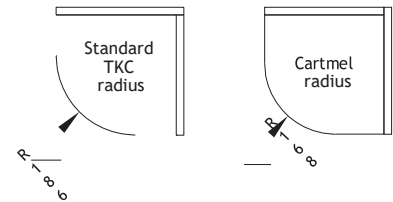
Code	Description
XXXTCWALL600	Tall L shaped corner wall, 600 x 600mm NEW

Tall Curved Wall Unit 900mm



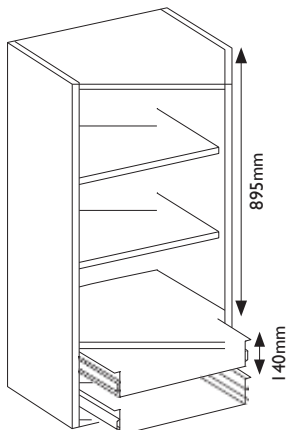
- External curved unit
- Includes 2 shelves

Height: 900mm
Depth: 300mm
Back: 8mm



Code	Description
XXXTRADIUS	Tall radius unit
XXXTRADIUSCART	Tall Cartmel radius unit (for Cartmel doors)

Dresser Unit 1210mm

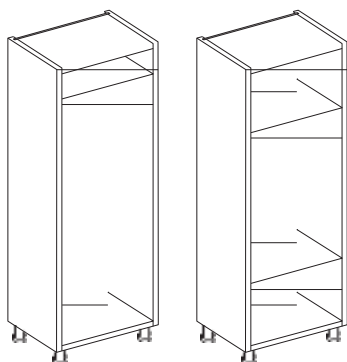


- 2 drawer dresser unit (not suitable for 1 drawer units)
- Includes 2 shelves (Glass shelves can be purchased separately)
- Dresser drawer packs (270mm depth) sold separately
- Suitable for 895mm (h) door & 2 x 140mm (h) drawer fronts

Height: 1210mm
Depth: 300mm
Back: 8mm

Code	Description
XXXDRESS500	Dresser unit, 500mm
XXXDRESS600	Dresser unit, 600mm

Appliance Unit 1970mm



Fridge/freezer unit

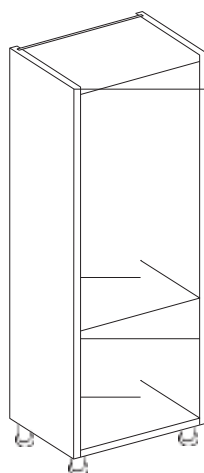
Double oven housing unit

- Multi purpose unit
- Supplied with gable ends, back and a shelf pack
- Includes top and bottom, 3 fixed shelves and 1 floating shelf

Height: 1970mm
Depth: 560mm
Back: 8mm

Code	Description
XXXTALL600	Appliance unit, 600mm

Larder Unit 1970mm

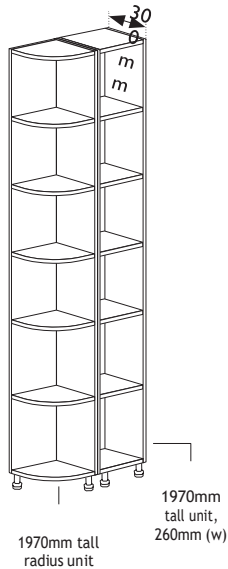


- Supplied with gable ends, back and a shelf pack
- Includes top and bottom, 3 fixed shelves and 1 floating shelf to cover multiple configurations

Height: 1970mm
Depth: 560mm
Back: 8mm

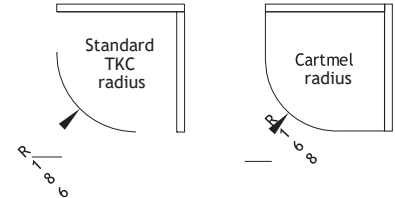
Code	Description
XXXLARDER300	Larder unit, 300mm
XXXLARDER400	Larder unit, 400mm
XXXLARDER500	Larder unit, 500mm
XXXLARDER600	Larder unit, 600mm

Curved Full Height Unit 1970mm



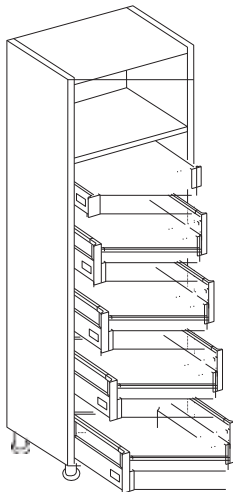
- Includes 5 shelves
- Use with 1245mm curved door and 715mm curved door

Height: 1970mm
Depth: 300mm
Back: 18mm



Code	Description
XXXETRADIUS	1970mm tall radius unit
XXXETRADIUSCART	1970mm tall Cartmel radius unit
XXXETBASE260	1970mm tall unit, 260mm (w), for use with tall radius unit

SmartLarder Complete 1970mm



- Includes cabinet, 5 boxed internal drawers & 1 fixed shelf
- Drawer specifications: grey finish, soft closing, 40kg capacity/drawer

Cabinet Height: 1970mm
Cabinet Depth: 560mm
Cabinet Back: 8mm

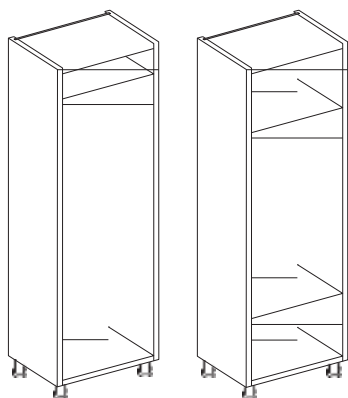
Fascia panel cutting dimensions:
 Internal cabinet width - 97mm
 Front rail cutting dimensions:
 Internal cabinet width - 63mm

PACK CONTENTS:

- Larder Unit (1970mm) x 1
- Topslide boxed shallow drawer & internal bracket (83mm) x 1
- Topslide boxed pan drawer, glass conversion kit & internal bracket (224mm) x 4
- Topslide internal fascia panel, 1100mm length x 3 (need cutting to size)
- Topslide square front rail, 1100mm length x 2 (need cutting to size)
- Silence 165° soft close hinge & Euro 18mm hinge plate x 4

Code	Description
XXXSL50G	SmartLarder complete, 500mm
XXXSL60G	SmartLarder complete, 600mm

Extra Tall Appliance Unit 2150mm



Fridge/freezer unit

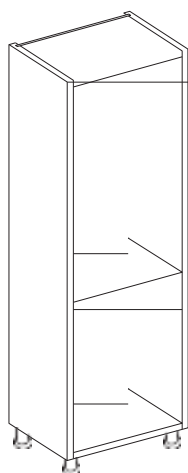
Double oven housing unit

- Multi purpose unit
- Supplied with gable ends, back and a shelf pack
- Includes top and bottom, 3 fixed shelves and 1 floating shelf to cover multiple configurations

Height: 2150mm
Depth: 560mm
Back: 8mm

Code	Description
XXXTTALL600	Extra tall appliance unit, 600mm

Extra Tall Larder Unit 2150mm



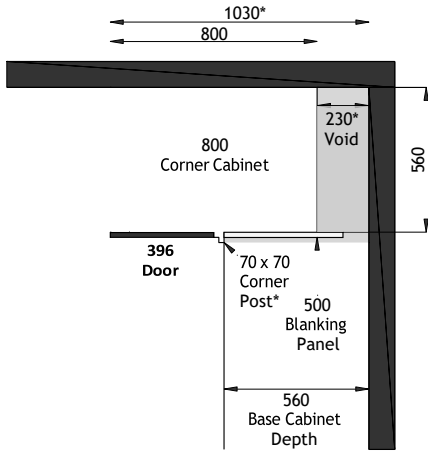
- Supplied with gable ends, back and a shelf pack
- Includes top and bottom, 3 fixed shelves and 1 floating shelf to cover multiple configurations

Height: 2150mm
Depth: 560mm
Back: 8mm

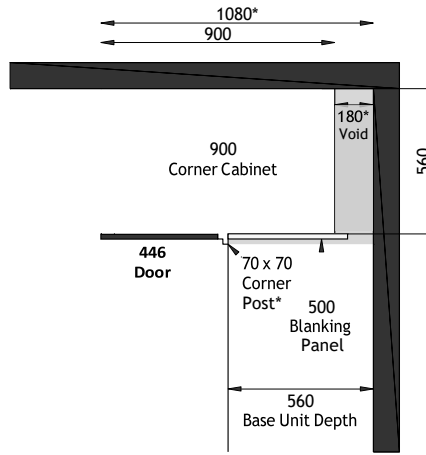
Code	Description
XXXTLARDER300	Extra tall larder unit, 300mm
XXXTLARDER400	Extra tall larder unit, 400mm
XXXTLARDER500	Extra tall larder unit, 500mm

Please note: For Extra Tall Larder Unit 600mm use Extra Tall Appliance Unit (code: XXXTTALL600)

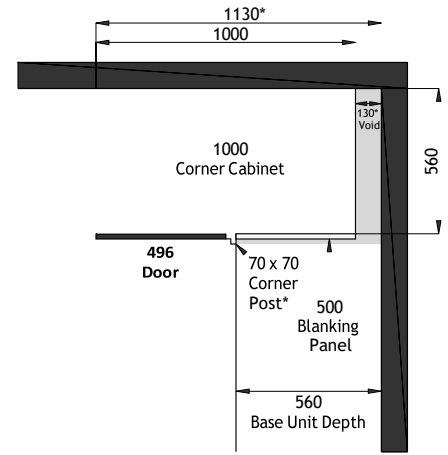
CORNER BASE UNIT INFORMATION



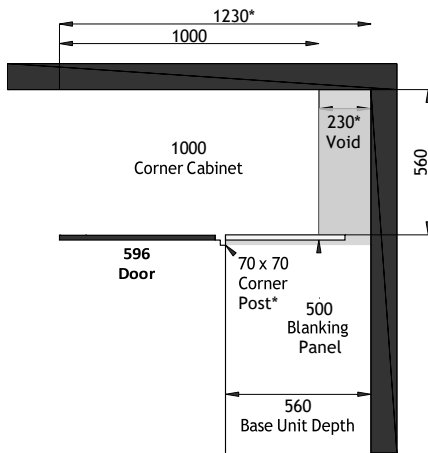
Base Unit: 800mm (w)
Door size: 396mm (w) x 715mm (h)
Blanking panel: 500mm (w), can be cut to size



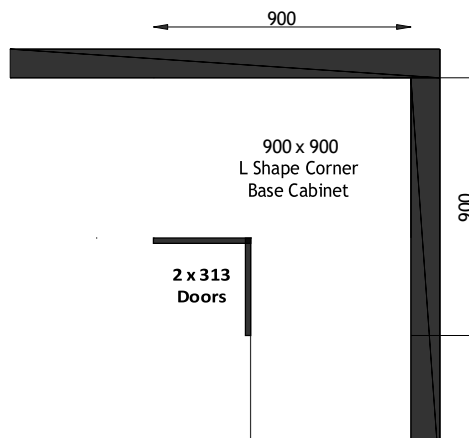
Base Unit: 900mm (w)
Door size: 446mm (w) x 715mm (h)
Blanking panel: 500mm (w), can be cut to size



Base Unit: 1000mm (w)
Door size: 496mm (w) x 715mm (h)
Blanking panel: 500mm (w), can be cut to size



Base Unit: 1000mm (w)
Door size: 596mm (w) x 715mm (h)
Blanking panel: 500mm (w), can be cut to size



Base Unit: 900 x 900mm L-shape
Door size: 2 x 313mm (w) x 715mm (h)
Hinges: 165° and Pie-cut Corner hinges to be used for the bi-fold corner door

* PLEASE NOTE:

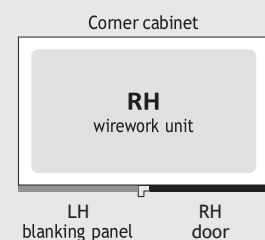
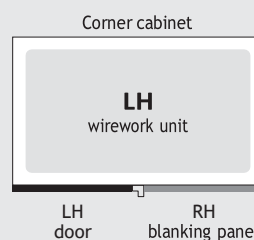
Dimensions are based on 70 x 70mm Vivo slab corner post. Corner post sizes vary between ranges which affects the size of the required distance from wall to end of corner cabinet. Please make sure the distance is adjusted to reflect the size of the corner post for the specific door range.

Eg. Lucente J-pull corner posts are 60 x 60mm which means distance from wall to end of corner cabinet is 10mm shorter.

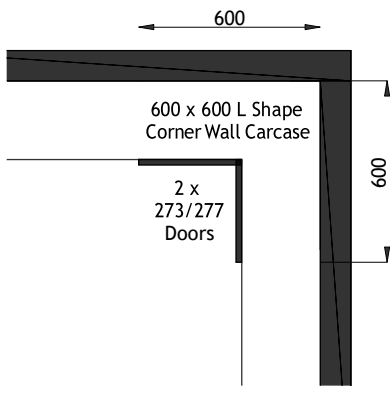
Void is covered by the worktop after installation.

Guide to LH / RH corner wirework units

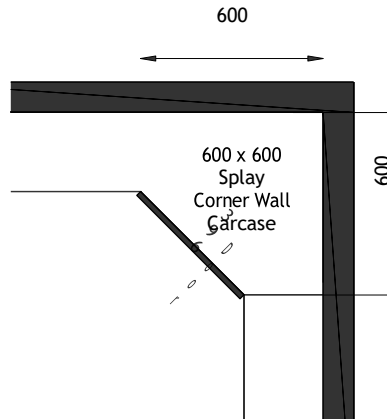
Wirework is handed by the side the door is on. The door is hinged on the side that the blanking panel is on (applies to Combi pull out shelves).



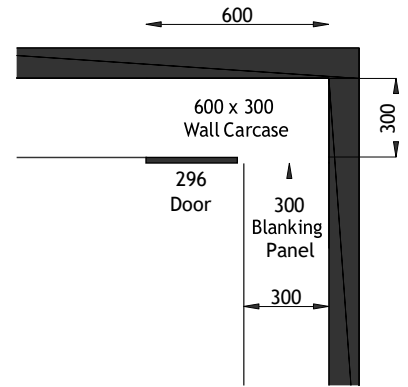
CORNER WALL UNIT INFORMATION



Wall Unit: 600 x 600mm L-shape
 Door size: 2 x 273/277mm (w) x 715mm (h)
 Hinges: 165° and Pie-cut Corner hinges to be used for the bi-fold corner door.



Wall Unit: 600 x 600mm D-shape
 Door size: 396mm (w) x 715/895mm (h)



Product Code: 600mm
 Wall Unit: 600 x 300mm conventional corner
 Door size: 296mm (w) x 715mm (h)

CURVED UNIT DOOR CONFIGURATIONS

Medium (1970mm) and tall (2150mm) installation heights

